



2WAY COAXIAL HORN SPEAKER 60W CS-761BS-B

The CS-761BS-B is certified to the European Standard EN 54-24: 2008, Loudspeaker for voice alarm systems for fire detection and fire alarm systems In compliance with the British Standard BS 5839-8: 2008. DoP number is 21-001.

DESCRIPTION

The CS-761BS-B is a two-way speaker featuring a coaxially positioned 16 cm (6.5") cone speaker and 2.5 cm (1") tweeter. This speaker provides high-quality sound broadcasts with excellent clarity, not only indoors, but also in semi-outdoor facilities such as multistory parking structures, and even in outdoor applications such as sports grounds and parks. It also complies with IP66 Dustproof and Waterproof Standards.

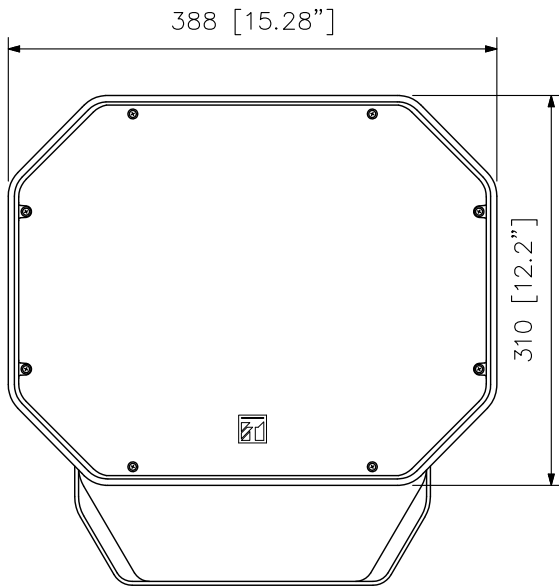
SPECIFICATIONS

Rated Input	60 W
Rated Impedance	100 V line: 170 Ω (60 W), 330 Ω (30 W), 670 Ω (15 W), 1.3 kΩ (7.5 W) 70 V line: 83 Ω (60 W), 170 Ω (30 W), 330 Ω (15 W), 670 Ω (7.5 W)
Sensitivity	100 dB (1 W, 1 m) (1 kHz – 10 kHz, pink noise) 99 dB (1 W, 1 m) (100 Hz – 10 kHz, pink noise) 87 dB (1 W, 4 m) (100 Hz – 10 kHz, pink noise)
Maximum Sound Pressure Level	117 dB (60 W, 1 m) (1 kHz – 10 kHz, pink noise) 103 dB (60 W, 4 m) (100 Hz – 10 kHz, pink noise)
Frequency Response	100 Hz – 20 kHz
Coverage Angle (-6 dB)	Declared value according to EN 54-24 Horizontal: 135° (500 Hz), 70° (1 kHz), 70° (2 kHz), 90° (4 kHz) Vertical: 160° (500 Hz), 85° (1 kHz), 110° (2 kHz), 105° (4 kHz)
Environmental Type	Type B (outdoor applications)
Speaker Component	Low frequency: 16 cm (6") cone-type, High frequency: 2.5 cm (1") tweeter
Operating Temperature	-10 °C to +50 °C (14 °F to 122 °F)
Dust/Water Protection	IP66
Applicable Cable	Size: PG 9 One cable gland is factory-installed. For bridge connection, one cable gland can be added.
Applicable Cable Size	Outer diameter: Ø4.5 – 8.2 mm Conductor: Solid wire or 7-core wire No bridge connection: 0.8 – 10 mm ² (AWG 18 – 7) for solid wire, 0.8 – 8 mm ² (AWG 18 – 8) for 7-core wire Bridge connection: 0.8 – 2.5 mm ² (AWG 18 – 13) for solid wire, 0.8 – 1.5 mm ² (AWG 18 – 15) for 7-core wire
Cable Connection	Screw terminal (steatite), can be bridge-connected
Finish	Enclosure: ABS resin, black (RAL 9011 equivalent), paint Punched net: Steel plate, black (RAL 9011 equivalent), paint Bracket: Stainless steel, black (RAL 9011 equivalent), powder coating
Dimensions	388 (W) × 310 (H) × 367 (D) mm (15.28" × 12.2" × 14.45")
Weight	7.6 kg (16.75 lb)
Option	Speaker mount bracket: SP-201 Pole band: YS-60B Speaker stand: ST-34B

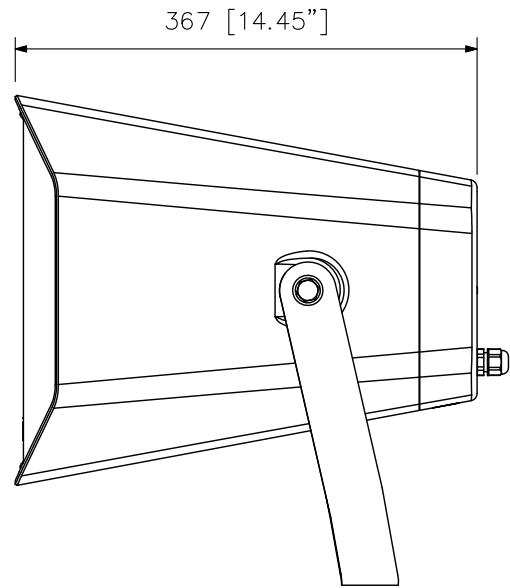
Note: Avoid installing the speaker in locations close to the seashore or in indoor swimming facilities that are not well ventilated. In such locations, the bracket may be vulnerable to corrosion, eventually allowing the speaker to fall resulting in personal injury.

TOA 2WAY COAXIAL HORN SPEAKER 60W CS-761BS-B

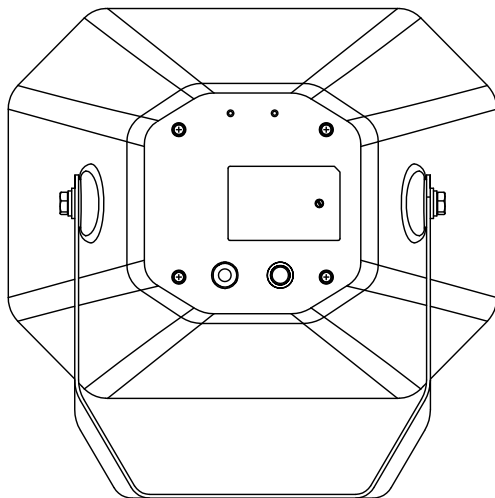
■ APPEARANCE



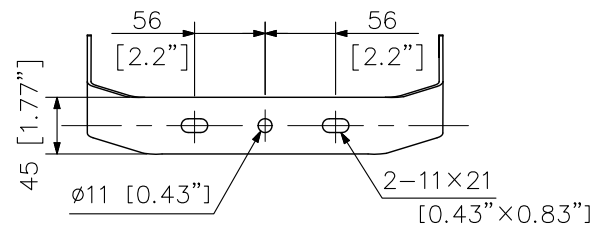
Front View



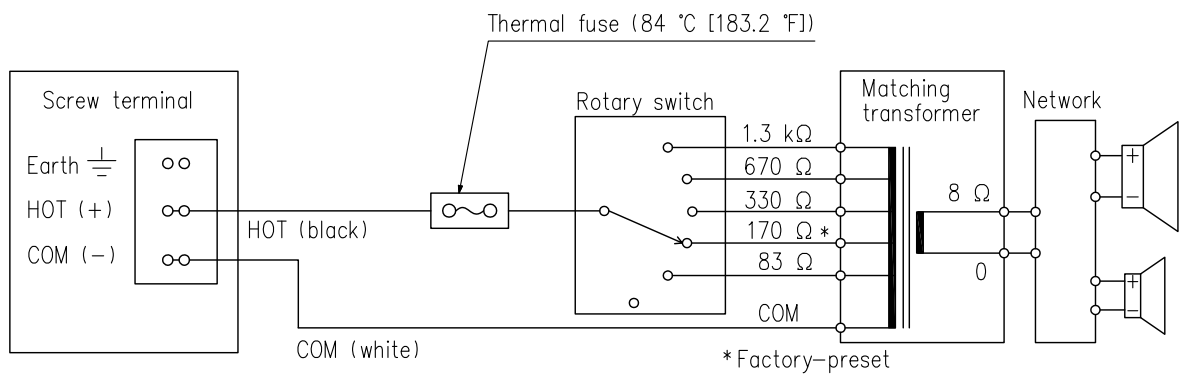
Side View



Rear View



Mounting bracket



Wiring Diagram

UNIT: mm SCALE: 1/6